

Current Probe Model PR20

The PR20 current probe is based on Hall Effect technology for use in measurement of both DC and AC current. The PR20 may be used in conjunction with multimeters, recorders and other suitable recording instruments for accurate non-intrusive current measurement.



Electrical Characteristics

Current Range	: 20 A AC _{RMS} or DC
Measuring Range.....	: ± 30 A
Output Sensitivity	: 100 mV / A
Accuracy (at +25°C).....	: ± 1% of reading ± 2 mA
Resolution	: ± 1 mA
Load Impedance	: > 10 k Ohms and ≤ 100 pF
Conductor Position Sensitivity.....	: ± 1% relative to centre reading
Frequency Range	: DC to 20 kHz (- 0.5 dB)
Temperature Coefficient.....	: ± 0.01% of reading / °C
Power Supply	: 9 V Alkaline, MN1604/PP3
.....	: 30 Hours, low battery indicator
Working Voltage (see Safety Standards section).....	: 300 V AC _{RMS} or DC

General Characteristics

Maximum Conductor Size	: 19 mm diameter
Output Connection	: 4mm safety plugs
Output Zero.....	: Manual adjust via thumbwheel
Cable Length.....	: 1.5 meters
Operating Temperature Range	: 0 to +50 °C
Storage Temperature Range (with battery removed).....	: -20 to +85 °C
Operating Humidity	: 15% to 85% (non condensing)
Weight.....	: 250 g

Safety Standards

BSEN61010-1: 1993 and Amendment A2: July 1995

BSEN61010-2-032: 1995

BSEN61010-2-031: 1995

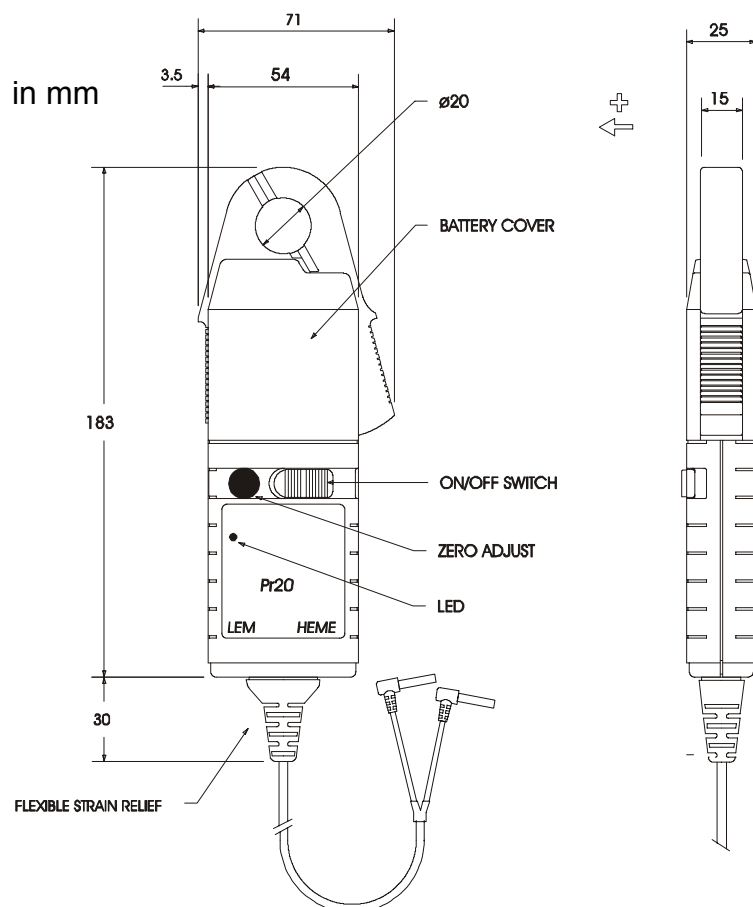
300 V_{RMS}, Category III, Pollution Degree 2

Use of the probe on **uninsulated conductors** is limited to 300 V AC_{RMS} or DC and frequencies below 1 kHz.

EMC Standards

EN61326 :1998

Dimensions



PR20_DS_E_010703_1

Specifications subject to change without notice